

◆ Gear Jacks

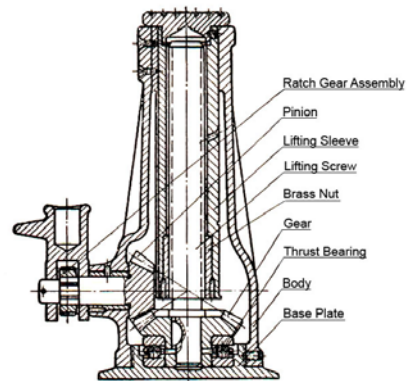
Gear Jacks

Features:

- Operates on thrust bearing.
- Low range and high range jacks to suit different lifting needs.
- Lightweight and compact, easy to carry.

Applications:

- Lifting, supporting and lowering of heavy structures in construction, shipbuilding and vehicular repairing.



100 ton



50 ton



32 ton



25 ton

◆ Gear Jacks

Gear Jacks

Model	Capacity	Lifting range (approximated)	Length of handle	Lever force	Weight	Overall measurement
Normal Range (GJ-N)	Tons	mm	mm	kgf	kg	mm
	3	220 – 300	500	10	6	160x130x220
	5	250 – 380	600	16	8	178x150x250
	8	260 – 400	600	25	9.5	188x154x260
	10	280 – 430	600	28	11	194x170x250
	16	255 – 380	1000	40	17	229x182x250
	20	265 – 370	1000	50	19	243x194x265
	50	452 – 702	1500	80	54	245x315x452
	100	452 – 652	1500	60	85	320x280x452

Model	Capacity	Lifting range (approximated)	Length of handle	Lever force	Weight	Overall measurement
Low Range (GJ-L)	Tons	mm	mm	kgf	kg	mm
	10	200 – 275	600	28	10	194x170x200
	25	270 – 410	1000	50	15	243x194x270
	32	320 – 500	1000	60	24	263x223x320
	50	310 – 460	1500	80	40	317x220x310